

TOCA[®]access light

New Product
Fingerprint Reader



TOCA access light

Benefits

- No need to carry any additional device
 - ✦ Cards
 - ✦ PIN numbers
- Easy to use
- Eliminates 'Unauthorised' access via
 - ✦ Using an acquired card
 - ✦ Guessing a PIN number

TOCA access light

Benefits

- No need to carry any additional device
 - ✦ Cards
 - ✦ PIN numbers
- Easy to use
- Eliminates 'Unauthorised' access via
 - ✦ Using an acquired card
 - ✦ Guessing a PIN number

TOCA access light

Features

- Standalone Fingerprint Reader
 - ✧ No PC required
 - ✧ No requirement for cable runs
 - ✧ Programmable at the door
 - ✧ All connections local to door
 - ✧ Ease of install
 - ✧ Plug & play

TOCA access light

Features

- 99 Storage templates
 - ✧ Up to 99 users
 - ✧ Multiple finger templates available per user but reduces number of users
- Internal or external use
- Vandal resistant covers

TOCA access light

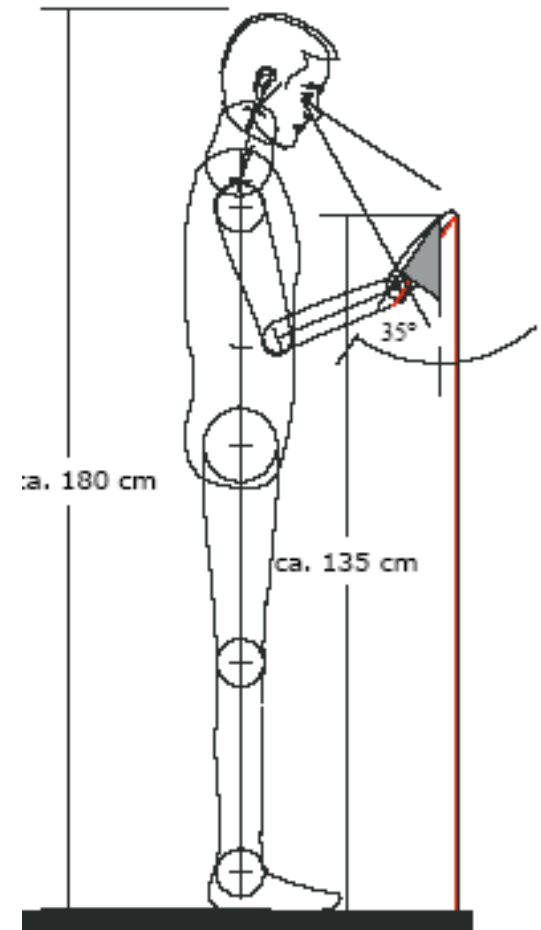
Features

- 1 or 3 relay outputs
 - ✦ Can use particular fingers to activate particular relays for:
 - Arming & disarming alarms
 - Activating barriers
 - Switching on lights
 - Garage door activation
 - etc, etc.
- 2 year warranty

TOCA access light

Specification

- Must be installed at a height of 135 cm
- Time for matching:
 - ✧ Per stored template < 20 ms
 - ✧ All 99 fingers stored < 2 Seconds



TOCA access light

Specification

- Biometric rating


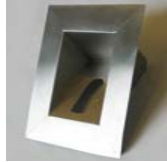

False Acceptance Rate (FAR)	1 in 100,000
False Rejection Rate (FRR)	1.4 %
Equal Error Rate (EER)	1 %

TOCA access light

Product Range (Trade £)

- TOCAaccess light 1 x relays £249
- TOCAaccess light+ 3 x relay £297
- TOCAaccess light+ Interface 3 x relay £383
 - ✦ Includes:
 - RS232 interface
 - Cable
 - PC Software

TOCA access light

Accessories	Trade Price	
Surface Stainless Steel Anti-Vandal Cover	£ 95.29	
Flush Stainless Steel Anti-Vandal Cover	TBC	
Stainless Steel Cover	£ 67.00	
506/T Timer Required for use with exit button	£ 16.35	

TOCA access light

Further information

- Literature request
- Demonstration request

Please call your local Norbain office