

DUPLEX SYSTEM

Mod. 752 - duo

DUPLEX SYSTEM MOD. 752

The duplex system facilities are the typical ones of the **two-channel system, that is:**

- electronic call from the outside push button panel to the indoor set;
- conversation from outdoor station to indoor station and vice versa;
- electric lock opening from the indoor set;
- possibility of an additional electric control from the indoor set (for example for stairs lighting).

The following installation are only possible:

- connection to 1 outdoor station;
- connection to 2 outdoor stations with automatic switching.

For the 1 outdoor station system, the secrecy of conversation function is foreseen to be made with two accessories:

- secrecy device for indoor set Ref. 752/5;
- switch-off device for push button panel Ref. 5330/60.

The secrecy of conversation function requires a wire more than the normal system in the cable conduit. The phone yield of the new system is higher than the previous Superjolly one, since a duplex telephone wiring with electronic balancing has been used. In the case of "speech" on one of the two channels, balancing drastically reduces the other channel, this avoiding the Larsen effect.

The transmission and reception levels are calibrated on optimum value during production. The installer can only adjust amplification towards the outside by acting on the potentiometer mounted in the loudspeaker module Ref. 752/75. Amplification towards the indoor set is not adjustable.

The new indoor set Ref. 752/23 and Ref. 752/231 is compatible and interchangeable with the previous indoor sets Ref. 4340/23, the same for the power supply. Also the outdoor set is electrically compatible with the previous loudspeaking unit Ref. 4330/27, but since it is mounted on Kombi push button panel modules, it is not mechanically compatible, therefore the push button panel shall be replaced too.

EQUIPMENT

Duo duplex system Mod. 752 is made of the following components:

DUO INDOOR SETS:

- Ref. 752/23** with 1 conversation key and 1 door opener key;
- Ref. 752/231** with 1 conversation key, 1 door opener key and 1 key for special service;

POWER SUPPLY Ref. 752/20

Power 110-230 VA, 28 VA for bar or wall mounting

OUTDOOR SET

in the Kombi version only, consisting of: Loudspeaker module without buttons

Ref. 752/75

Microphone module with 1 stair light key **Ref.752/70**

Microphone module with 1 call key and 1 stair light key **Ref.752/71**

Microphone module with 2 call keys and 1 stair light key **Ref.752/72**

PUSH BUTTON PANEL

Mod. 752 duplex systems can use the Kombi Mod. 825 push button panel only. Complete the system the following:

ACCESSORIES

- The following accessories are available:
- Ref. 4328/16** embedding box for indoor set;
 - Ref. 752/1** frame for indoor set wall embedding;
 - Ref. 752/5** secrecy device for indoor set;
 - Ref. 5330/60** secrecy switch-off device for push button panel;
 - Ref. 9854/52** additional electronic buzzer;
 - Ref. 788/21** call repeater relay.

DUO DUPLEX INDOOR SET

Duo duplex indoor set Mod. 752 utilizes, as transmitting capsule, an electret microphone that guarantees a more constant and linear transmission.

It is arranged to receive the call directly on the loudspeaker with a bitonal sound supplied by the power supply.

Duo indoor set is foreseen for two way of installation:

- wall surface mounting;
- wall embedding;

All connections to the line are made after Duo base has been fixed to the wall, thus simplifying all operations.

Duo is foreseen in the versions:

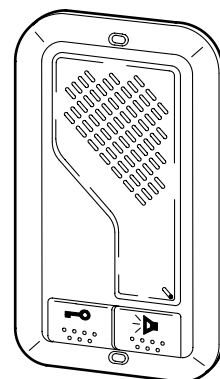
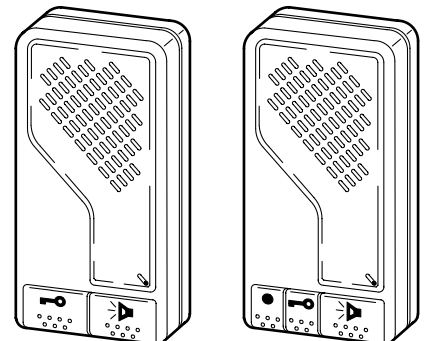
- for normal outdoor station system;
- for outdoor station systems, with 1 additional key.

The normal version is equipped with two keys:

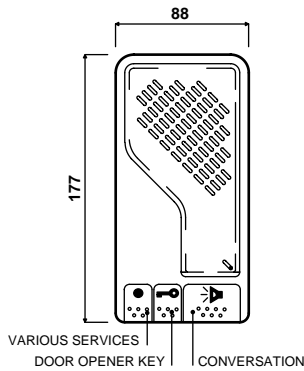
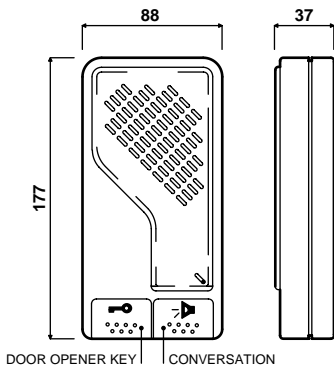
- a conversation key;
- a door opener key

The version with additional key is equipped with three keys:

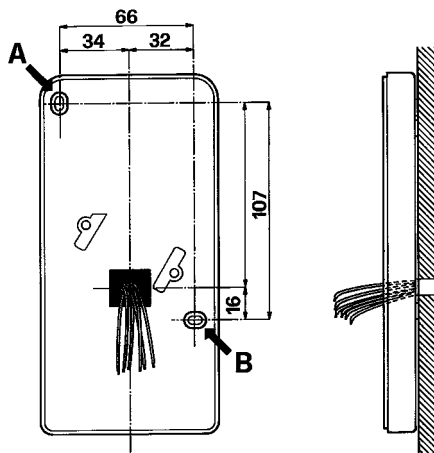
- a conversation key;
- a door opener key;
- a further key for special services (for example for stairs lighting).



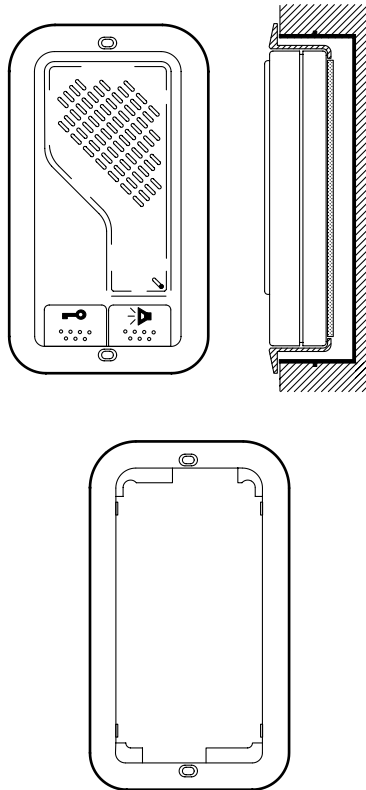
WALL SURFACE MOUNTING VERSION



To fix Duo to the wall, it is necessary to prearrange two nogs in correspondence of two holes placed on the horizontal A and on the vertical B.
The central zone indicates the space for wire input.



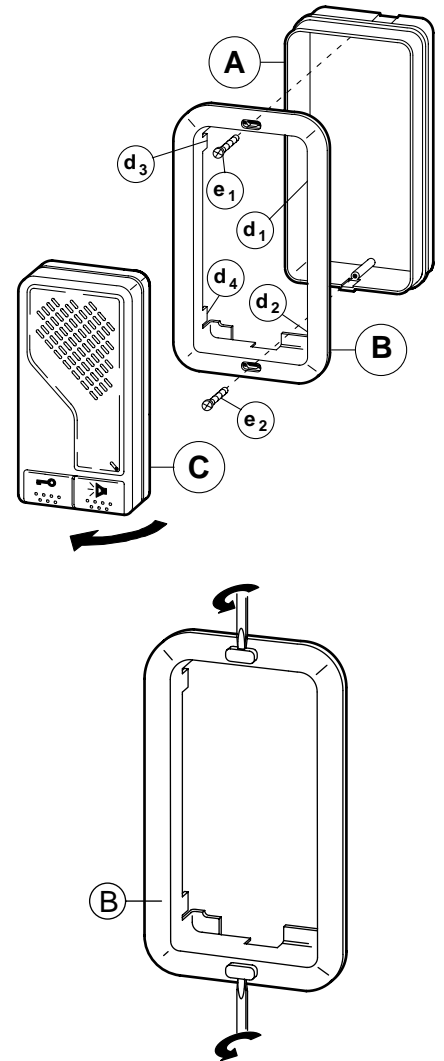
WALL EMBEDDING VERSION



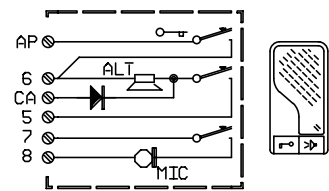
For this way of installation use the proper:
- embedding box **Ref. 4328/16**;
- frame **Ref. 752/1**.

The operations to be performed are the following:

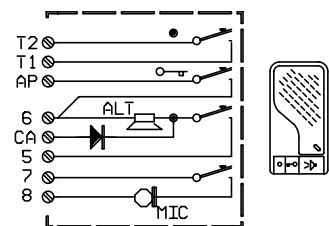
- embed box **A**. Plaster should be leveled or stick out the edge of the box 1 cm max.;
- remove the screw caps of the frame **B** by means of a screwdriver
- fix the frame to the embedding box by means of the two screws **e1** and **e2**;
- remove the indoor set front plate to have access to connection terminals. The front plate is hinged to the base in the upper side and fixed by a snap-system in the lower side. To remove it, hold the base with one hand and pull the front plate outwards with the other hand (or exert leverage with a screw driver in the specific slots);
- make the connections;
- replace the front plate;
- insert indoor set **C** into frame **B**. The indoor set will be snapped by means of four clips: **d1 -d2 -d3 -d4**.



DUO INDOOR SET INTERNAL CONNECTIONS



Ref. 752/23



Ref. 752/231

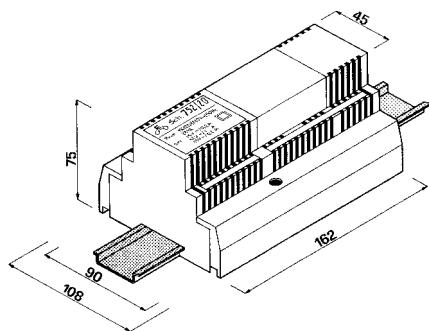
POWER SUPPLY

The power supply Ref. 752/20 consists of:

- 28 VA transformer;
- primary 110-230;
- secondary 12 V, 1 A (supply for door opener and buzzer terminals 0 and 12.);
- secondary 18 V, 0.2 A (terminals 0 and 18);
- secondary 15V d.c., 0.2 A (connected internally - supply for amplifying circuits);
- output for bitonal call on loudspeaker with F1= 1200Hz, F2 = 1800Hz with sweep rate 10-20Hz;
- inwards amplifier (input terminals 3-4, output terminals 5-6);
- outwards amplifier (input terminals 7-8, output terminals 1-2).

The power supply can be mounted on drawn bars according to 'DIN 46277' specifications or fixed to the wall by means of two screws and nogs.

The length of 162 mm corresponds to 9 modules of 18 mm each, in accordance with 'DIN 43880' specifications.



DUPLEX OUTDOOR SET

The outdoor set of the system Mod. 752 is exclusively made of two (separate) modules of the Kombi push button panel line; therefore it cannot be inserted into the normal push button panels Mod. 725.

The Two-channel Kombi outdoor set consists of:

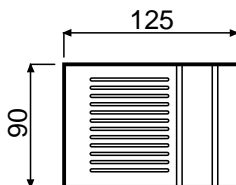
Loudspeaker module without buttons
Ref. 752/75

Microphone module with 1 stair light key
Ref. 752/70

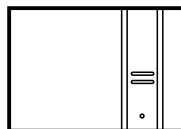
Microphone module with 1 call key and 1 stair light key
Ref. 752/71

Microphone module with 2 call keys and 1 stair light key
Ref. 752/72

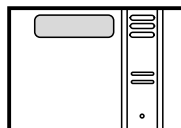
In order to avoid Larsen ("whistle") effect the two modules shall not be mounted one near the other, but they have to be kept separate by a key or repertory module.



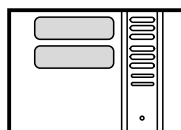
Ref. 752/75



Ref. 752/70

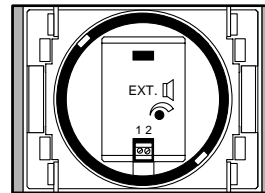


Ref. 752/71

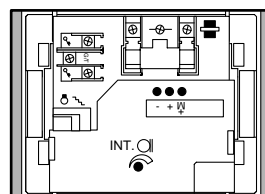


Ref. 752/72

Transmission and reception values are factory set to optimal levels. Amplification towards the outside can be adjusted using the trimmer inserted in the Ref. 752/75 loudspeaker module.



The inwards amplification cannot be adjusted. The potentiometer inserted in the microphone module acts on the inwards transmission level only when it is used as spare part in the previous Superjolly systems where terminal + shall be connected instead of +M.



PUSH BUTTON PANEL

Duo duplex system Mod. 752 foresees the use of the Kombi modular push button panel Mod. 825 only.

Kombi system is based on extruded aluminum modules that can be fitted on special frames complete with embedding box. The embedding boxes can be coupled horizontally by means of plastic spacers; through this system it is possible to compose push button panels of all types and configurations, with the smallest number of components.

The system may be used in the following versions:

- wall embedding;
- wall surface mounting.

Kombi system foresees the following accessories:

- embedding frame: embedding wall mounting version
- anti-rain hood covers: compete with embedding frame for embedding wall mounting version
- housings with hood cover: wall surface mounted version complete with embedding frame and module frame

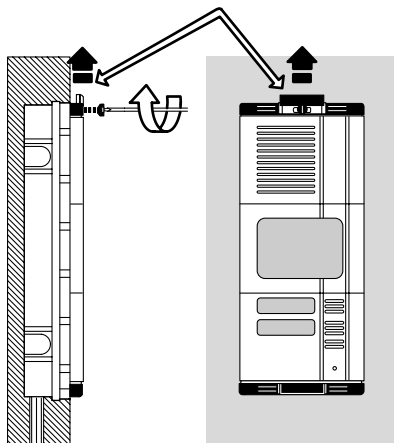
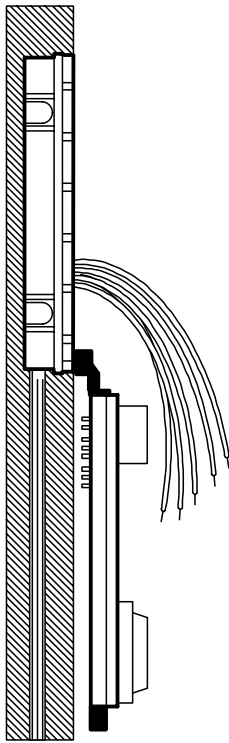
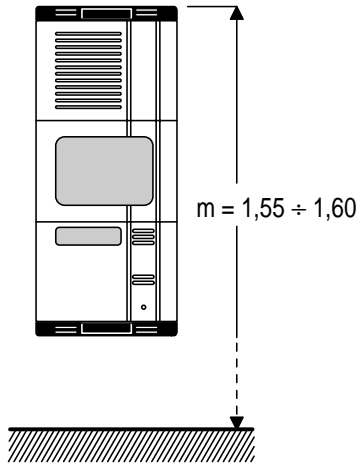
For further details on Kombi push button panel assembly and installation, consult the relevant documentation.

In order to avoid Larsen ("whistle") effect, the two outdoor set modules shall not be mounted one near the other, but kept separated by a key or repertory module.

For this reason, a table is given in page 42 with some examples of possible assemblies of the different modules to obtain every required push button capacity.

INSTALLATION

The recommended height for installing the push button panel is approximately 1.55 m from the ground.



ACCESSORIES

On the base of the Duo indoor set the following devices can be mounted:

- Extra electronic buzzer **Ref. 9854/52**
- Secrecy of conversation device (one for each house phone) **Ref. 752/5**

These device are to be purchased separately and fitted by the installer.

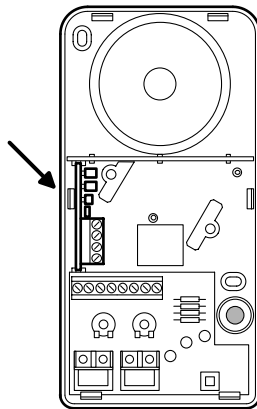
SECRECY OF CONVERSATION DEVICE

The device Ref. 752/5 shall be inserted inside the indoor set proceeding as follows:

- remove the cover and place the device on the base in the position shown in the figure, inserting it into the proper guides;
- connect the device outgoing wires 7A,5A,CA,6,AP1 to the corresponding indoor set terminals 7,5,CA,6,AP.

Wire colors:

- 7A = yellow
- 5A = red
- CA= white
- 6 = black
- AP1 = light blue.



WARNING: A Ref. 5330/60 device common to all the house phone must be inserted inside the push button panel. This assures switching off of any secrecy of conversation devices left enabled by a previous call, thus assuring complete secrecy. In view of the dimensions of the device and of loudspeaking unit modules, the switch-off device must be positioned only behind a Ref. 825/5 repertory module or Ref. 825/201, Ref. 825/202, Ref. 825/203 and Ref. 825/204 push button modules and fastened inside the embedding box positioning it on the specific pins and tightening it with a screw.

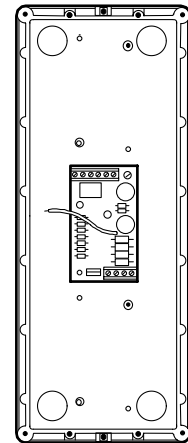
INSERTION OF THE SECRECY SWITCH DEVICE Ref. 5330/60 INSIDE THE KOMBI PUSH BUTTON PANEL

The device will switch off the secrecy devices eventually remained activated from a previous call, thus assuring the total secrecy.

The switch-off device has to be inserted inside the push button panel embedding box, positioning it on the suitable pins and fixing it by a screw.

Connect the outgoing wire SN (Brown) to push button panel commons G/T and connect jumper between terminals 1A and +.

The red wire shall be cut off.



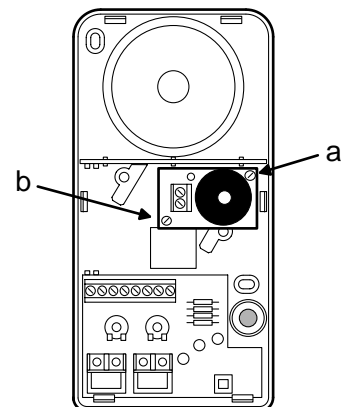
Attention: due to the switch-off device and outdoor set modules dimensions, the device shall only be mounted inside a repertory module Ref. 825/5 or the key modules Ref. 825/201, 825/202, 825/203, 825/204.

ADDITIONAL ELECTRONIC BUZZER Ref. 9854/52

The device Ref. 9854/52 can be used for an additional call.

To mount the buzzer inside the indoor set proceed as follows:

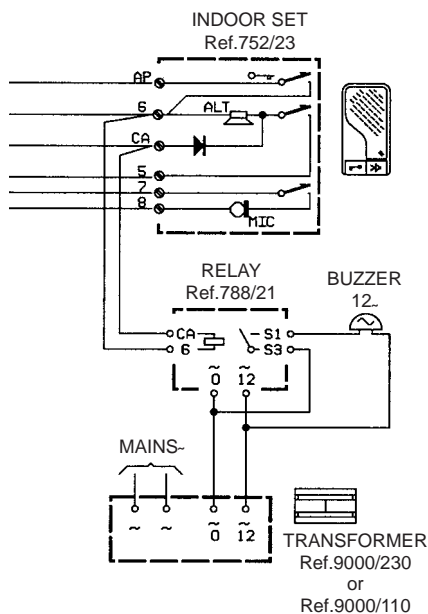
- fix the buzzer to the base using the two 2.9 x 13.5 screws indicated by a-b;
- connect the system wires to the two terminals.



CALL REPEATER RELAY
Ref. 788/21

As previously described, the call coming from the outside push button panel towards the indoor sets takes place directly on the loudspeaker with a bitonal sound supplied by the power supply. When the call has to be sent also to additional ringers, it is necessary to use the call repeater Ref. 788/21 to be parallel connected to the indoor set loudspeaker. For its connection, proceed as follows:

- connect terminals 6 and CA to the indoor set corresponding terminals;
- feed the call repeater relay by means of a 12V a.c. transformer, the voltage of which can feed the additional ringer.



GENERAL INSTALLATION RULES

For a correct installation of duplex systems the following must be kept in mind:

- system wires must be introduced into metal or plastic tubes, where there shall be no other wire, such as stairs lights lifts, or energy distribution net wires;
- use twisted coupled wires from power supply to outdoor set;
- one couple from microphone MIC;
- one couple for loudspeaking receiver ALT.
- system wires diameter depends on connections lengths, as shown in the side table.

Section	Diameter	Distance
mm ²	mm	m
Speech circuit and call		
0,5	8/10	50
0,5	8/10	100
0,8	10/10	200
1	12/10	300
Door opener		
0,5	8/10	50
0,8	8/10	100
1	8/10	200
1,6	8/10	300

During power supply installation make a jumper between terminals 6 and ~12. Calls from the outdoor station come directly on the indoor set loudspeaker operated by means of a determined frequency. Also foresee wires for push button panel lamps lighting with a separate transformer of adequate power (up to 2 lamps, the system power supply can be used) and wires for electric lock opener button next to the door.

INTERCHANGEABILITY WITH THE PREVIOUS SYSTEMS

duo INDOOR SET
Ref. 752/23 and Ref. 752/231

Duo indoor set Mod. 752 is interchangeable with the previous models: Jolly and Superjolly 1st series with carbon transmitting capsule, and Superjolly 2nd series.

It is not interchangeable with jolly model with loudspeaker instead of carbon capsule.

The fact that the duo is not equipped with a buzzer but only pre-engineered to receive the external call directly on the loudspeaker by means of a two-tone signal provided by the power supply is very important. In the case of replacement of the Jolly and in Superjolly 1ma series systems where the call is sent to the buzzer (terminal RZ), the electronic buzzer Ref. 9854/52 must be inserted inside the duo. A terminal of the buzzer must be connected with terminal 6 of the duo; the other terminal must be connected to the call wire that, in old house phones, was connected to the RZ terminal. In the case of replacement of Superjolly 2nd series, the buzzer is not required as the call wire in both systems is sent to terminal CA.

OUTDOOR SET
Ref. 752/75, 752/70, 752/71, 752/72

The outdoor set is electrically compatible and interchangeable with the previous loudspeaking unit Ref. 4340/27, but it is not mechanically interchangeable since it is mounted on Kombi modules. It will be therefore necessary to replace also the push button panel.

POWER SUPPLY Ref. 752/20

It is interchangeable with the previous model Ref. 4340/20. On the contrary, it is not interchangeable with the Jolly type Ref. 4330/20. In this case it is necessary to replace also the outdoor station.

CONNECTION MISTAKES AND MOST COMMON FAILURES

Operation failure from indoor set to outdoor station

On the outdoor set disconnect wires 1 and 2 and measure the loudspeaker resistance (the resulting resistance varies from 45 Ω to 515 Ω, since the circuit is made of a 45 Ω loudspeaker with a series connected 470 Ω potentiometer).

If the loudspeaker is not defective, the failure might be caused by the loudspeaker line (line 1-2) or by the indoor set transmitting capsule line (line 7-8). In this case, insulation and continuity of the above lines must be carefully checked.

If the failure does not fall within the above mentioned cases, the power supply will have to be checked and probably replaced since it might be causing the failure.

Operation failure from outdoor station to indoor set

Defective electret microphone circuit. A check with a tester is not possible. Try to replace the outdoor set. If the failure is still present, check line 3-4 disconnecting the two wires from outdoor set and power supply, and measuring continuity and insulation. Make same check on the indoor sets loudspeaker line (5-6). If the failure does not fall within the above mentioned cases, the power supply will have to be checked and probably replaced since it might be causing the failure.

Operation failure on both directions

Check the 315 mA fuse: if burnt, it shall be replaced with one of the same value. Check network voltage.

Lock does not open

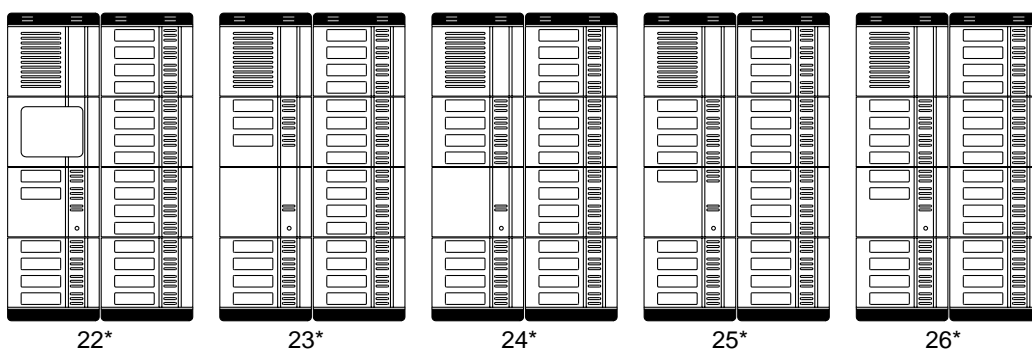
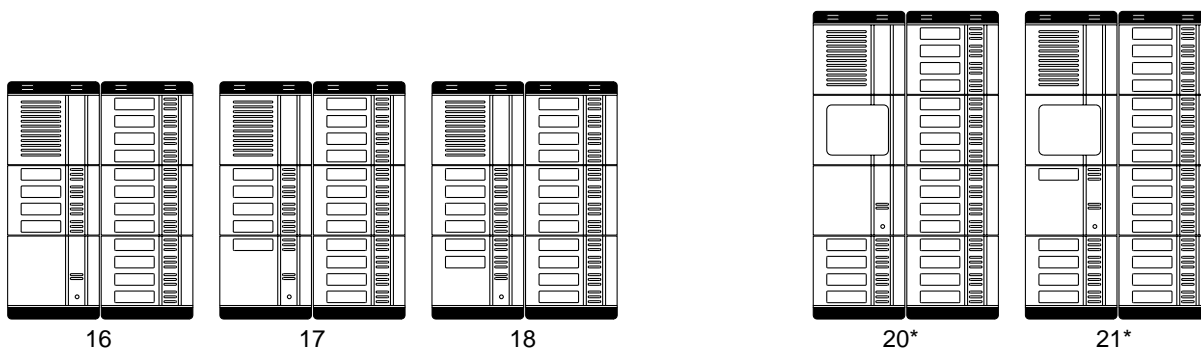
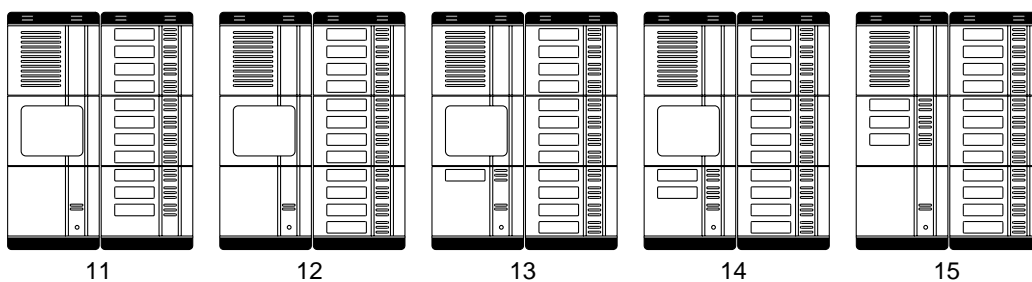
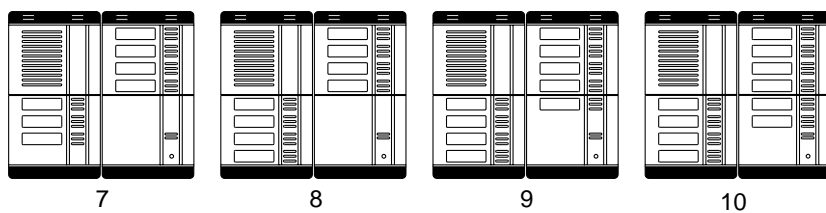
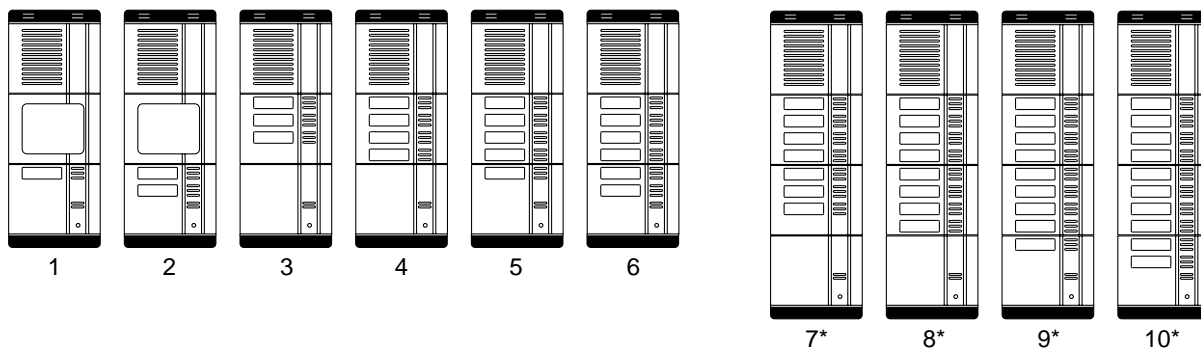
Check that there is a voltage of 12V between terminals 0 and 12 of the power supply. Check the door release lines between terminals AP, 6 or that the contact of the door release key is working correctly.

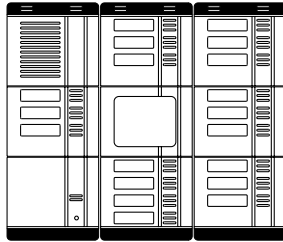
NO calls on loudspeaker

Check that the power supply generates the call signal through insertion of a 45 Ω resistance between terminals PS and 6 of the power supply.

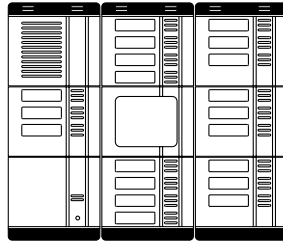
“Whistle” or Larsen effect

If the system presents a “whistle” due to Larsen effect, duly adjust the potentiometer of the loudspeaker module, reducing the volume until the effect disappears. The inwards amplification is not adjustable.

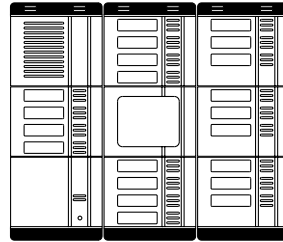




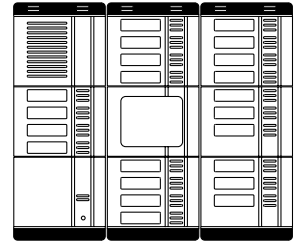
19



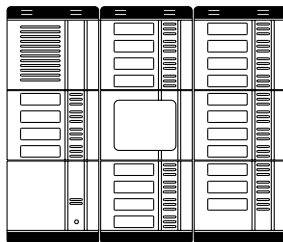
20



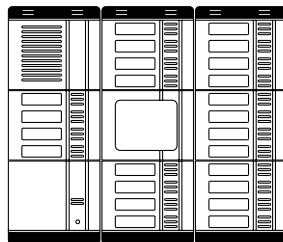
21



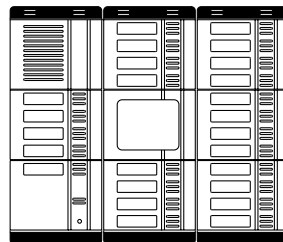
22



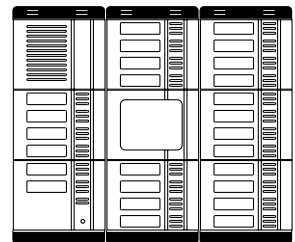
23



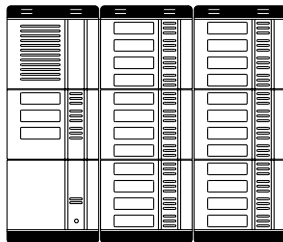
24



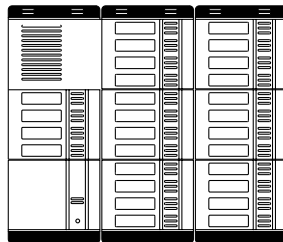
25



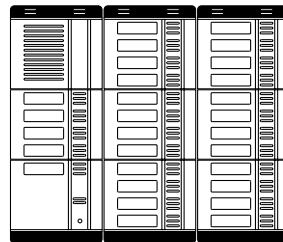
26



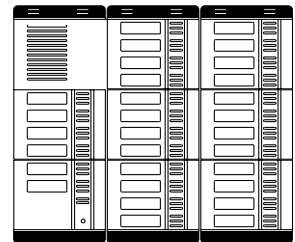
27



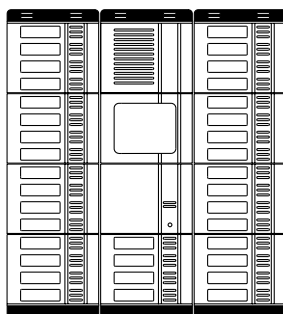
28



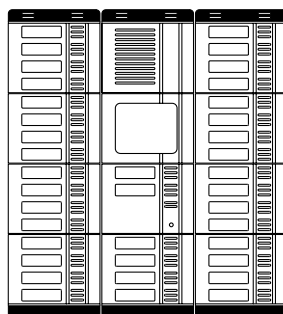
29



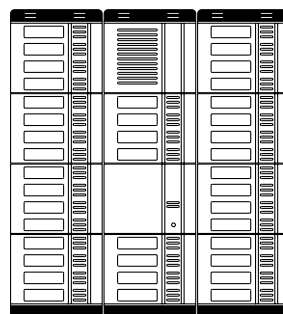
30



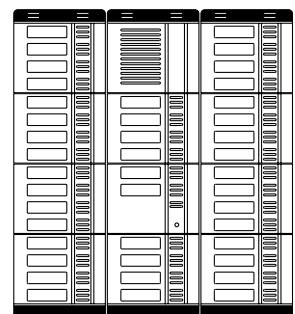
36*



38*



40*



42*

Note: In the case of the combinations marked with an asterisk (*), that use Frames and embedding boxes for 4 modules, the only accessories available are the embedding frames.

CORRESPONDENCE ALUMINUM MODULE REFERENCES			
MODULES FOR L.U.	ALUMINUM	PUSH BUTTON AND REPERTORY MODULES	ALUMINUM
WITHOUT BUTTON	752/70	WITH 1 BUTTON	825/201
WITH 1 BUTTON	752/71	WITH 2 BUTTONS	825/202
WITH 2 BUTTONS	752/72	WITH 3 BUTTONS	825/203
		WITH 4 BUTTONS	825/204
LOUDSPEAKER MODULE	ALUMINUM	INFORMATION MODULE	825/5
		BLANK MODULE	825/9
WITHOUT BUTTON	752/75	REPERTORY MODULE	825/550

DUPLEX SYSTEM MOD. 752
KOMBI MODULAR PUSH BUTTON PANEL
LIST OF REFERENCES FOR THE VARIOUS BUTTON CAPACITIES
REFERRING TO EXAMPLES OF MODULARITY

WALL EMBEDDING VERSION

BASIC COMPONENTS										ACCESSORIES			
Buttons	Embedding box	LOUDSPEAKING UNIT			Push button and repertory modules	Overall dimensions (mm)						Frame	Hood cover with frame
		Loudspeaker module	Microphone module	752/75		Front plate			Embedding				
						H2	L2	S	H1	L1	P		
1	825/23 (1 ROW WITH 3 MODULES)	752/75		752/71	1 x 825/5	303	126	12	294	118	45	825/33	825/43
2				752/72	1 x 825/5								
3				752/70	825/203								
4				752/70	825/204								
5				752/71	825/204								
6				752/72	825/204								
7	825/24 (1 ROW WITH 4 MODULES)	752/75		752/70	1 x 825/203 1 x 825/204	393	126	12	384	118	45	825/404	NO
8				752/70	2 x 825/204								
9				752/71	2 x 825/204								
10				752/72	2 x 825/204								
7	2 x 825/22 (2 ROWS WITH 2 MODULES)	752/75		752/70	1 x 825/203 1 x 825/204	213	252	12	204	244	45	825/34	825/44
8				752/70	2 x 825/204								
9				752/71	2 x 825/204								
10				752/72	2 x 825/204								
11	2 x 825/23 (2 ROWS WITH 3 MODULES)	752/75		752/70	1 x 825/203 2 x 825/204 1 x 825/5	303	252	12	294	244	45	825/36	825/46
12				752/70	3 x 825/204 1 x 825/5								
13				752/71	3 x 825/204 1 x 825/5								
14				752/72	3 x 825/204 1 x 825/5								
15				752/70	3 x 825/204 1 x 825/203								
16				752/70	4 x 825/204								
17				752/71	4 x 825/204								
18				752/72	4 x 825/204								
20	2 x 825/24 (2 ROWS WITH 4 MODULES)	752/75		752/70	5 x 825/204 1 x 825/5	393	252	12	384	244	45	825/408	NO
21				752/71	5 x 825/204 1 x 825/5								
22				752/72	5 x 825/204 1 x 825/5								
23				752/70	5 x 825/204 1 x 825/203								
24				752/70	6 x 825/204								
25				752/71	6 x 825/204								
19	3 x 825/23 (3 ROWS WITH 3 MODULES)	752/75		752/70	5 x 825/203 1 x 825/204 1 x 825/5	303	378	12	294	370	45	825/39	825/49
20				752/70	4 x 825/203 2 x 825/204 1 x 825/5								
21				752/70	3 x 825/203 3 x 825/204 1 x 825/5								
22				752/70	2 x 825/203 4 x 825/204 1 x 825/5								
23				752/70	1 x 825/203 5 x 825/204 1 x 825/5								
24				752/70	6 x 825/204 1 x 825/5								
25				752/71	6 x 825/204 1 x 825/5								
26				752/72	6 x 825/204 1 x 825/5								
27				752/70	1 x 825/203 6 x 825/204								
28				752/70	7 x 825/204								
29				752/71	7 x 825/204								
30	752/72	7 x 825/204											
36	3 x 825/24 (3 ROWS WITH 4 MODULES)	752/75		752/70	9 x 825/204 1 x 825/5	393	378	12	384	370	45	825/412	NO
38				752/72	9 x 825/204 1 x 825/5								
40				752/70	10 x 825/204								
42				752/72	10 x 825/204								
										<p>H1-H2 : Height L1-L2 : Width S : Protrusion P : Embedding depth</p>			

DUPLEX SYSTEM MOD. 752
KOMBI MODULAR PUSH BUTTON PANEL
LIST OF REFERENCES FOR THE VARIOUS BUTTON CAPACITIES REFERRING
TO EXAMPLES OF MODULARITY

WALL SURFACE MOUNTING VERSION

BASIC COMPONENTS								
Buttons	Housing with box and frame	LOUDSPEAKING UNIT			Overall dimensions (mm)			
		Loudspeaker module	Microphone module	Modules with buttons only	Depth		Front plate	
					P1	P2	H3	L3
1	825/53 (1 ROW WITH 3 MODULES)	752/75	752/71	1 x 825/5	79	59	331	158
2			752/72	1 x 825/5				
3			752/70	825/203				
4			752/70	825/204				
5			752/71	825/204				
6			752/72	825/204				
7	825/54 (2 ROWS WITH 2 MODULES)	752/75	752/70	1 x 825/203 1 x 825/204	79	59	241	287
8			752/70	2 x 825/204				
9			752/71	2 x 825/204				
10			752/72	2 x 825/204				
11	825/56 (2 ROWS WITH 3 MODULES)	752/75	752/70	1 x 825/203 2 x 825/204 1 x 825/5	79	59	331	287
12			752/70	3 x 825/204 1 x 825/5				
13			752/71	3 x 825/204 1 x 825/5				
14			752/70	3 x 825/204 1 x 825/5				
15			752/70	3 x 825/204 1 x 825/203				
16			752/70	4 x 825/204				
17			752/71	4 x 825/204				
18			752/72	4 x 825/204				
19	825/59 (3 ROWS WITH 3 MODULES)	752/75	752/70	5 x 825/203 1 x 825/204 1 x 825/5	79	59	331	416
20			752/70	4 x 825/203 2 x 825/204 1 x 825/5				
21			752/70	3 x 825/203 3 x 825/204 1 x 825/5				
22			752/70	2 x 825/203 4 x 825/204 1 x 825/5				
23			752/70	1 x 825/203 5 x 825/204 1 x 825/5				
24			752/70	6 x 825/204 1 x 825/5				
25			752/71	6 x 825/204 1 x 825/5				
26			752/72	6 x 825/204 1 x 825/5				
27			752/70	1 x 825/203 6 x 825/204				
28			752/70	7 x 825/204				
29			752/71	7 x 825/204				
30			752/72	7 x 825/204				
						P1 : Sup. depth P2 : Inferior depth H3 : Height L3 : Width		

FUNCTION

Pushing one of the buttons on the push button panel, outside the building, the bitonal call sound is sent to the corresponding indoor set loudspeaker.

When on the called indoor set the conversation button is pressed, contact is made between inside and outside and conversation may start.

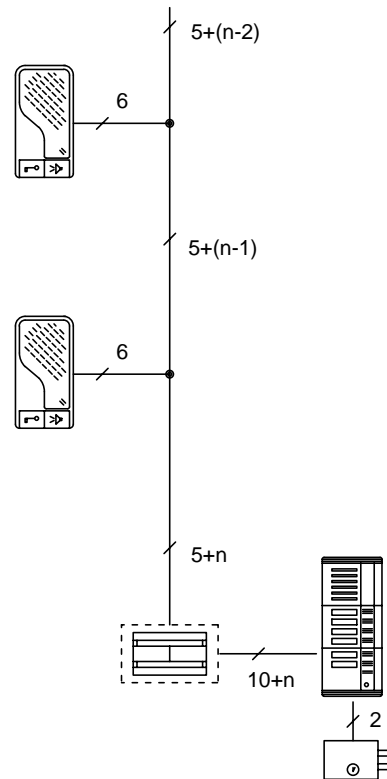
The indoor set conversation button must be kept pressed during all the conversation.

To operate the electric lock it is sufficient to briefly press the corresponding button.

EQUIPMENT

For said installation (Scheme SC/101-0209) the following items are required:

No. X Duo indoor sets	Ref. 752/23
<i>For wall embedding, add:</i>	
No. X Embedding boxes	Ref. 4328/16
No. X Frames for embedding box	Ref. 752/1
No. 1 Power supply	Ref. 752/20
No. 1 Modular push button panel	Mod. Kombi
<i>(Ref. Nos. at pages 42-43)</i>	



WIRES

As indicated in the Scheme SC/101-0209.

- No. 4 Wires from power supply to push button panel towards the outdoor set (2 twisted coupled wires);
- No. 2 Wires from power supply to electric lock;
- No. 1 Wire from power supply to push button panel common;
- No. 4 Common wires from power supply to indoor sets;
- No. 1 Common wire from electric lock to indoor sets;

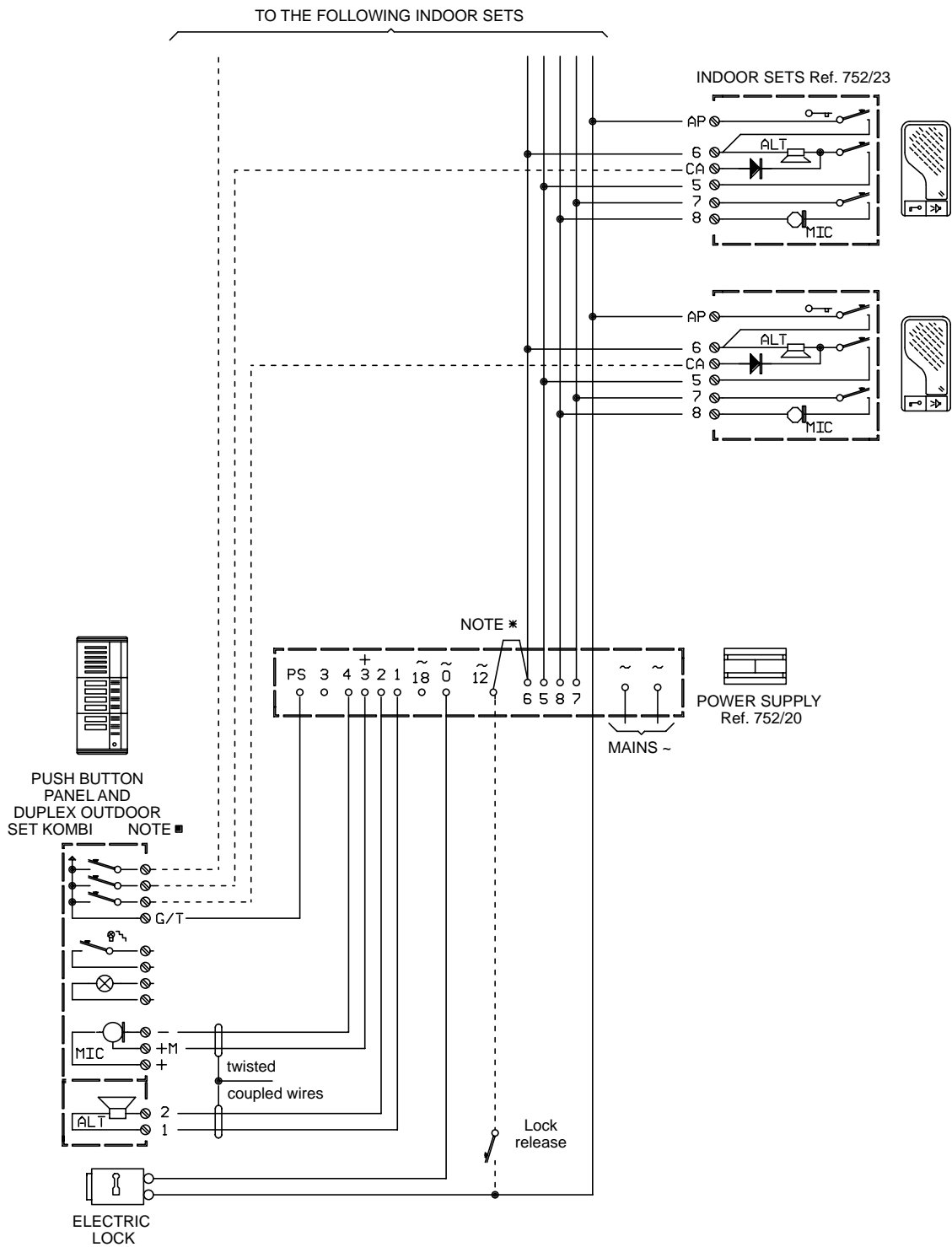
Also provide wires for switching on of the bulbs of the push button panel powered by separate appropriately rated power transformer.

NOTE: During power supply installation make a jumper between terminals 6 and ~ 12.

IMPORTANT: Use twisted wires for the connection towards the outdoor station, one for microphone MIC and one for loudspeaker receiver ALT.

Transmission and reception levels are calibrated, during production, on optimum values. It is possible to adjust the outwards amplification by acting on the potentiometer inserted in the loudspeaker module Ref. 752/75.

The inwards amplification cannot be adjusted. The potentiometer inserted in the microphone module acts on the inwards transmission level only when it is used as spare part in Superjolly systems with terminal + connected instead of terminal +M.



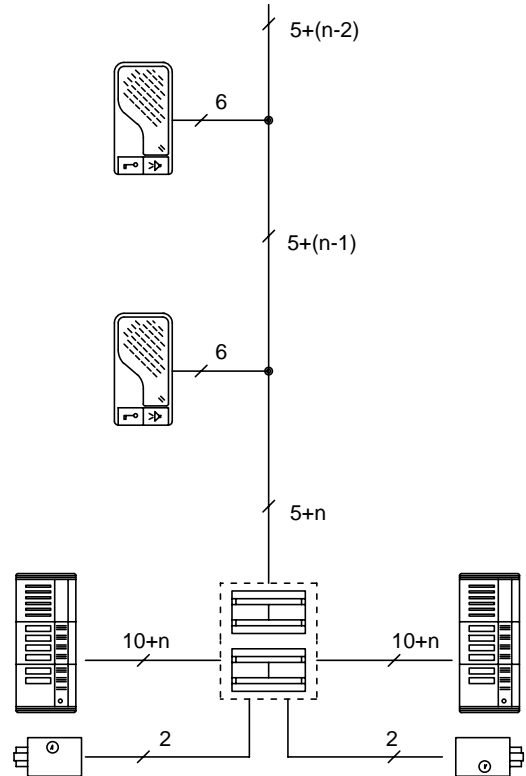
FUNCTION

This type of installation allows connection of a series of indoor sets to two push button panels in a building with two entrances. With the proposed solution, by simply pushing a button on one of the two panels, the called indoor set, pushing the conversation button, is automatically connected with the calling panel. However, this type of installation does not allow to talk from the two outdoor stations simultaneously, since they work alternatively. Indoor set conversation button must be kept pressed during all the conversation. To operate the electric lock it is sufficient to briefly press the corresponding button: in this way, the electric lock corresponding to the push button panel from which the call has been made is energized.

EQUIPMENT

For said installation (Scheme SC/101-0210 A) the following items are required:

No. X Duo indoor sets	Ref. 752/23
<i>For wall embedding, add:</i>	
No. X Embedding boxes	Ref. 4328/16
No. X Frames for embedding box	Ref. 752/1
No. 1 Power supply	Ref. 752/20
No. 2 Kombi modular push button panels (<i>Ref. Nos.. at pages 42-43</i>)	Mod. Kombi
No. 1 Relay box for automatic switching	Ref. 788/1



WIRES

As indicated in the Scheme/101-0210 A.
 No. 5 Wires from power supply to relay box;
 No. 8 Wires from relay box to each panel. 4 of these ones, that is the ones to the outdoor station, must be connected with twisted coupled wires, one for microphone M and one for receiver R;
 No. X Wires from push button panels to indoor sets;
 No. 5 Common wires from power supply and relay box group to the indoor sets.

Also foresee wires for push button panels lamps lighting fed by a separate transformer of adequate power

NOTE:

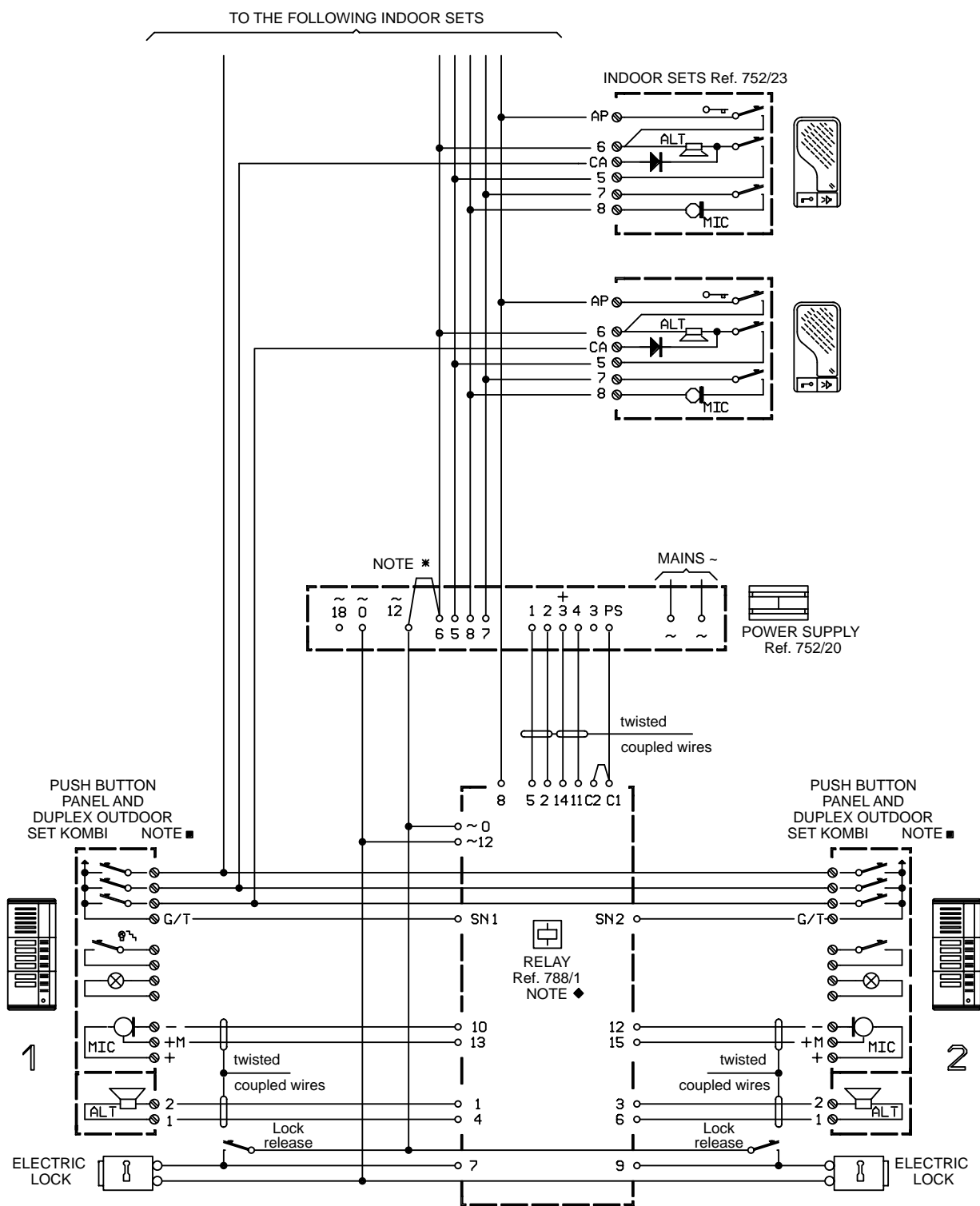
In the relay box make a jumper between terminals C1 - C2.

During power supply installation make a jumper between terminals 6 and ~ 12.

IMPORTANT: Use twisted coupled wires for the connections towards the outdoor station one for microphone MIC and one for loudspeaker receiver ALT.

Transmission and reception levels are calibrated, during production, on optimum values. It is possible to adjust the outwards amplification by acting on the potentiometer inserted in the loudspeaker module Ref. 752/75.

The inwards amplification cannot be adjusted. The potentiometer inserted in the microphone module acts on the inwards transmission level only when it is used as spare part in Superjolly systems with terminal + connected instead of terminal +M.



DUO DUPLEX SYSTEM MOD. 752

Examples of connection of the different parts (Indoor set, Outdoor set, Power supply)
of the new system duplex Mod. 752 when used as spare parts in the
previous Superjolly two-channel systems 2nd series

INDOOR SET Ref. 752/23

Note : To replace the indoor set Ref. 4340/23 by the new type Ref. 752/23, connect wires to the same terminals. If in the existing system the buzzer RZ has been used for the floor calls, since in the Duo indoor set this buzzer and the relevant terminal RZ are not foreseen, it is necessary to use the additional buzzer Ref. 9854/52, that can be inserted inside the same indoor set, or any other 12V a.c. 10VA max. buzzer or ringer to be installed outside the indoor set.

TC = Button for possible floor call.

POWER SUPPLY Ref. 752/20

To replace the power supply Ref. 4340/20 by the Duo power supply Ref. 752/20 connect wires to the same terminals. Only take care to connect the relevant wire to terminal 3 and not to terminal +3 (to be used in Duo system Mod. 752).

KOMBI DUPLEX OUTDOOR AND PUSH BUTTON PANEL

Note: To replace the loudspeaking unit Ref. 4340/27 by the new outdoor set Mod. 752, it is necessary to replace also the push button panel using the Kombi modular type; this is due to the fact that the microphone and the loudspeaker Mod. 752 are mounted inside suitable Kombi modules.

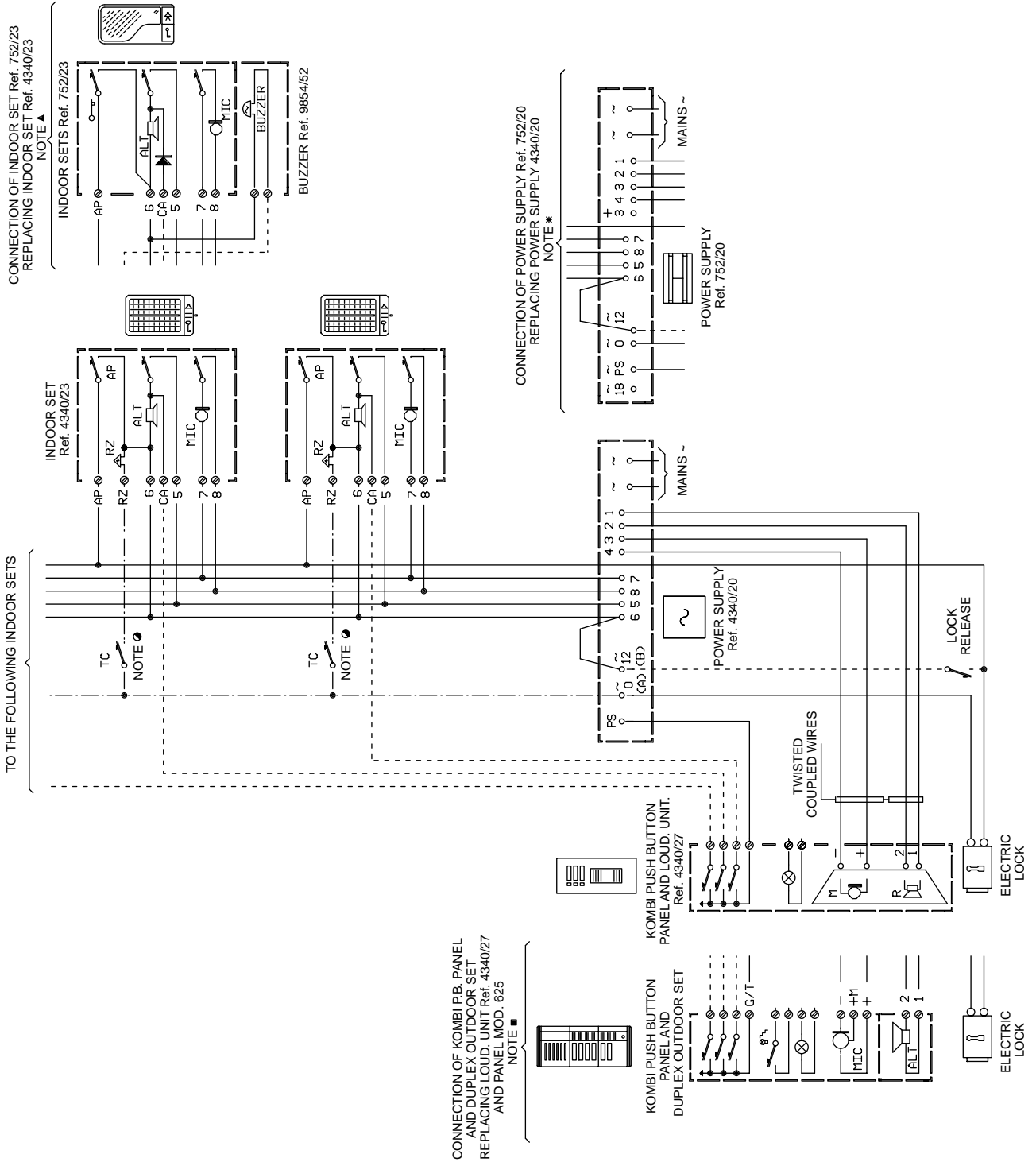
As a matter of fact the Duo duplex outdoor set is made of:

Loudspeaker module	Ref. 752/75;		
Microphone module	Ref. 752/70	without keys,	or
	Ref. 752/71	with 1 key,	or
	Ref. 752/72	with 2 keys.	

In order to avoid Larsen ("whistle") effect, the two modules shall not be mounted one near the other, but they have to be kept separate by a key or repertory module.

It is possible to adjust the outwards amplification by acting on the potentiometer inserted in the loudspeaker module Ref. 752/75.

It is possible to adjust the outwards amplification by acting on the potentiometer inserted in the microphone module. Take care to connect terminal + and not terminal +M (to be used in Duo system Mod. 752 where, on the contrary, the inwards amplification is not adjustable).



FUNCTION

To assure the secrecy to all the indoor sets, a secrecy device Ref. 752/5 shall be inserted in each indoor set and a switch-off device Ref. 5330/60 in the push button panel.

So, all the indoor sets will be cut off from any conversation; only the called indoor set can start a conversation with the caller, no other being able to intercept the call. At the end of the conversation, said indoor set remains activated to conversation until a following call to another indoor set releases it. There are two possibilities of electric lock opening:

- opening activated by the device after an outside call: the lock cannot be operated without any call (standard connection);
- opening each time the door opener key is pressed. In this case connect conduit wire 9 directly to indoor set terminal AP and not to secrecy device terminal AP2.

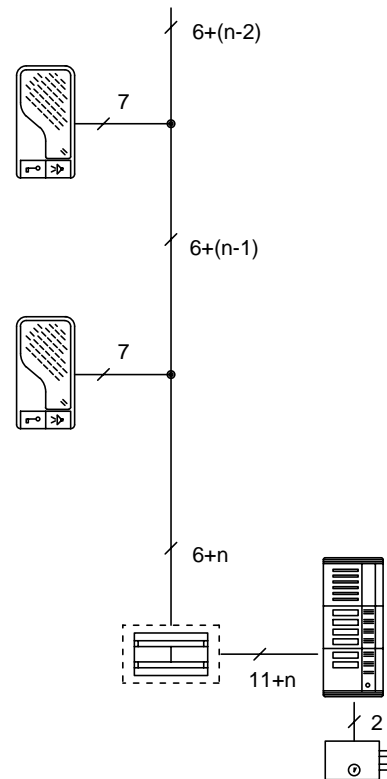
Consequently do not connect device terminal AP1 to indoor set terminal AP.

EQUIPMENT

For said installation (Scheme SC/101-0212) the following items are required:

No. X Duo indoor sets	Ref. 752/23
<i>For wall embedding, add:</i>	
No. X embedding boxes	Ref. 4328/16
No. X frames for embedding box	Ref. 752/1
No. 1 switch-off device for push button panel	Ref. 5330/60
No. 1 power supply	Ref. 752/20
No. 1 modular push button panel	Mod. Kombi
<i>(Ref. Nos. at pages 42-43)</i>	

Attention: To install the secrecy device inside the indoor sets and the switch-off device inside the push button panel, follow the instructions at page 8.



WIRES

As indicated in the Scheme SC/101 - 0212.

- No. 4 Wires from power supply to push button panel towards the outdoor set (2 twisted coupled wires);
- No. 3 Wires from power supply to push button panel switch-off device;
- No. 4 Common wires from power supply to indoor sets;
- No. 2 Common wires from push button panel switch-off device to indoor sets;
- No. 1 Single wire from push button panel to each indoor set.

Also foresee wires for push button panel lamps lighting (fed by a separate transformer of adequate power) and wires for electric lock opener button next to the door.

NOTE:

During power supply installation make a jumper between terminals 6 and 12.

IMPORTANT: Use twisted coupled wires for the connections towards the outdoor station one for microphone MIC and one for loudspeaker receiver ALT.

Transmission and reception levels are calibrated, during production, on optimum values. It is possible to adjust the outwards amplification by acting on the potentiometer inserted in the loudspeaker module Ref. 752/75.

The inwards amplification cannot be adjusted. The potentiometer inserted in the microphone module acts on the inwards transmission level only when it is used as spare part in Superjolly systems with terminal + connected instead of terminal +M.

